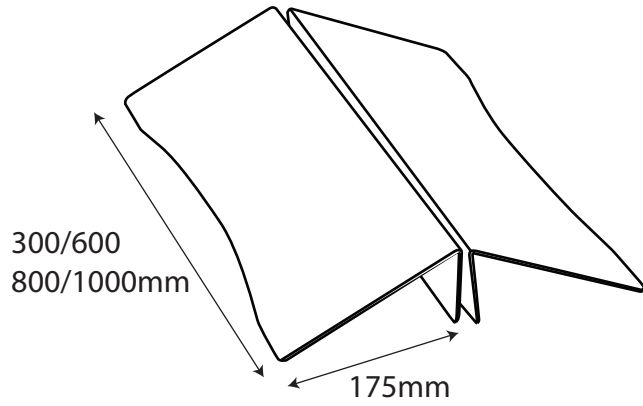

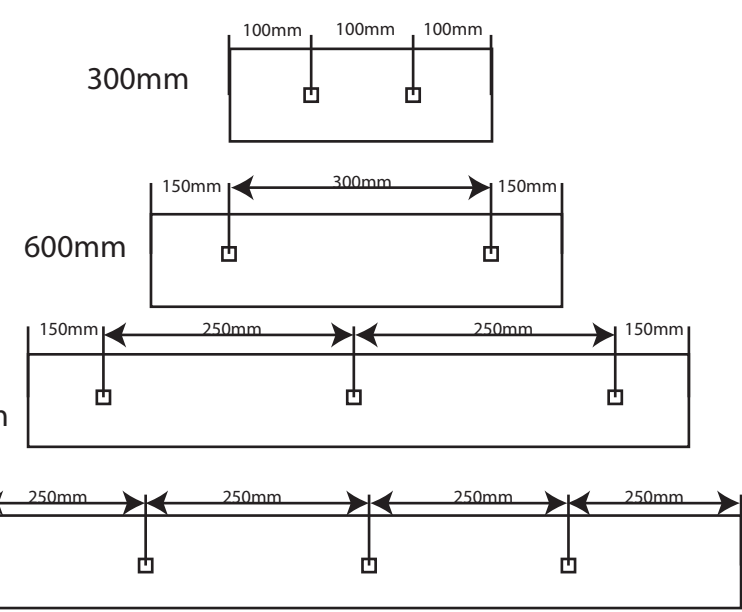
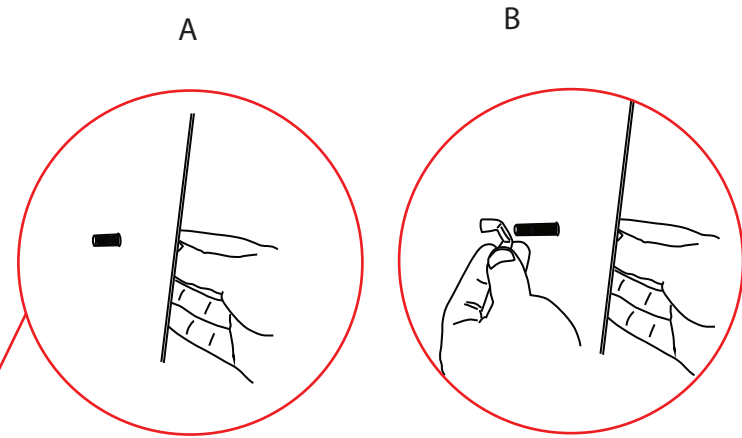
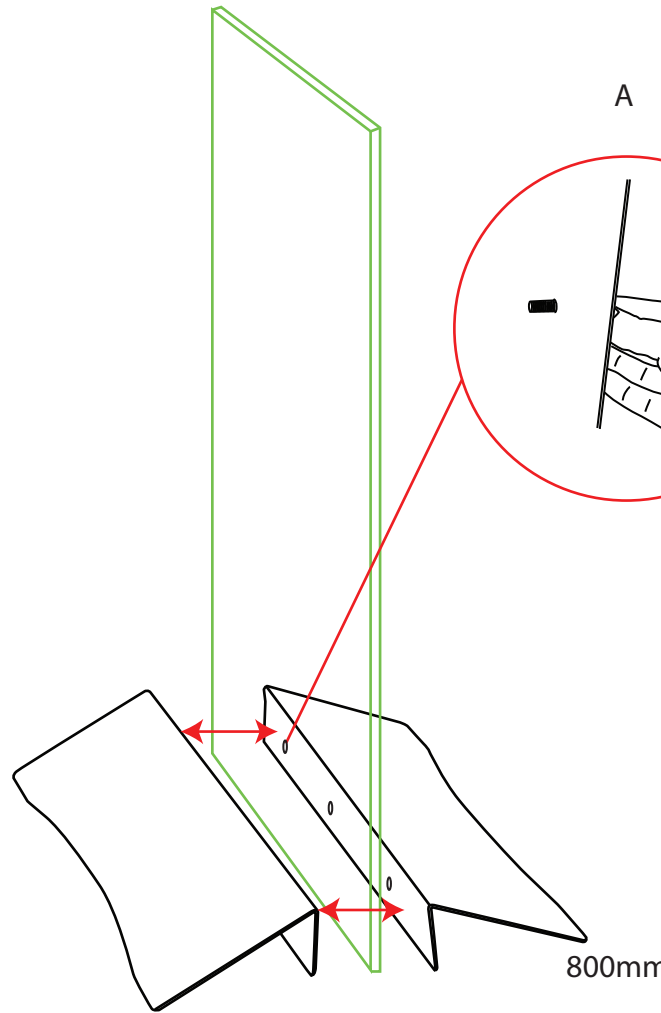


Wedge




Graphic thickness 40mm Max
Recommended maximum graphic height:
1500mm high using 18mm thick MDF



Hole height from the bottom of the unit is 42.50mm